



# 1998-2002 F-Body Switch Panel

## F-Body Switch Panel With Gauge

Part # 00-11002

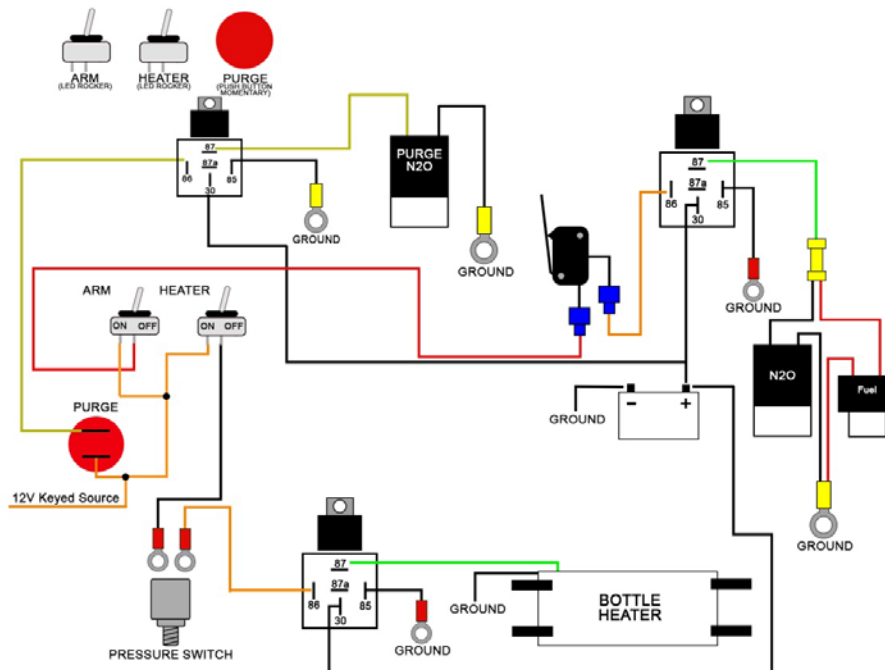
### INSTALLATION INSTRUCTIONS

#### This switch panel consists of:

- 1 Aircraft style safety toggle system activation switch
- 1 Aircraft style safety toggle heater switch
- 1 Momentary push button purge switch
- 1 Luminescent nitrous pressure gauge
- 6 Large push on terminals, 4 medium push on terminals, and 2 small push on terminals



Following the diagram below, connect each switch as shown. Test each circuit to insure proper function before the switch panel is permanently installed. The switch panel will mount in the front of the center console. In order to connect the gauge you will need to connect the 1/8NPT x 3AN Fitting on the back of the gauge using teflon paste. You will need to buy a 3AN hose to run to an inline manifold in your main feed line. Because your manifold could be in a number of places we do not supply the line so you will need to measure and order the 3AN line separately.



[WWW.NITROUSOUTLET.COM](http://WWW.NITROUSOUTLET.COM)

IMPORTANT—All appropriate safety equipment (e.i., gloves, tools) must be used during the installation of this product(s). Nitro Dave's LLC accepts no responsibility for injuries resulting in the installation of any product(s).