



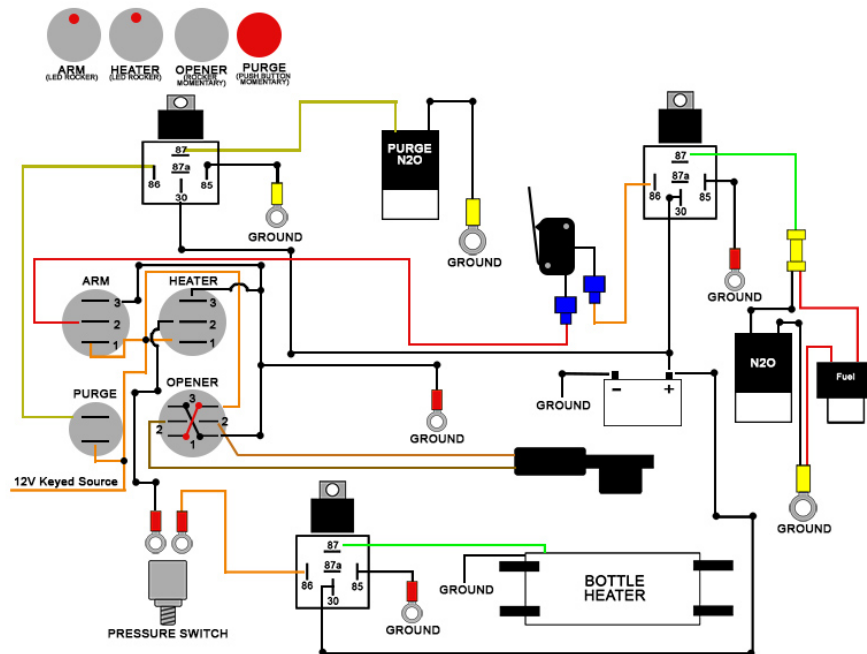
# 93-97 Camaro Switch Panel

## ASHTRAY NITROUS SWITCH PANEL

Part # 00-11011

### INSTALLATION INSTRUCTIONS

1. This panel fits in the ashtray area of your console. The only modifications needed is remove the metal ashtray housing, you may need to remove the center console to route your wiring.
2. Route all your wiring for your accessories to the switch panel and make your connections. There is plenty of room to roll any excess wire under the panel, giving yourself a little extra wire will make your install easier, especially any changes down the road.
3. Once all of your wiring is confirmed accurate slide the switch panel into the ashtray, the panel will sit flush on top of the ashtray compartment.
4. Test the system and make sure your wiring is correct. With the key in the on position turn on system arm, the solenoids should click. If they don't something is wired wrong. If they do click then turn on the heater and see if it gets warm, then try your purge. Once everything is working correctly move to the next step.
5. Once everything is connected and working properly put the console back together and you are ready to go.



\*\*\*BUTTON CONFIGURATION ON SWITCH PANEL MAY DIFFER\*\*\*

[WWW.NITROUSOUTLET.COM](http://WWW.NITROUSOUTLET.COM)

IMPORTANT—All appropriate safety equipment (e.i., gloves, tools) must be used during the installation of this product(s). Nitro Dave's LLC accepts no responsibility for injuries resulting in the installation of any product(s).