



87-93 Ford Mustang Switch Panel

ASHTRAY NITROUS SWITCH PANEL

Part # 00-11012

INSTALLATION INSTRUCTIONS

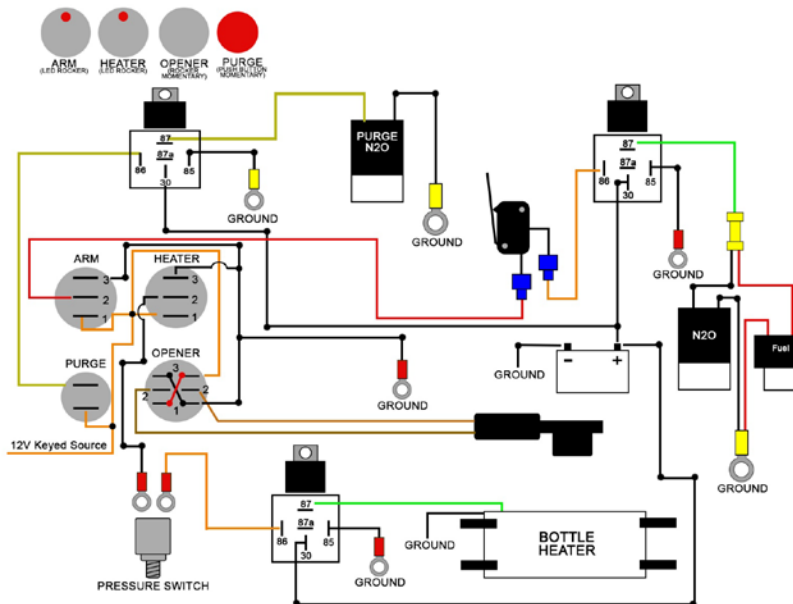
This panel fits in the front ashtray area of your center console. The only modification needed is to pull out the ashtrays metal housing.

Route all your wiring for your accessories to the switch panel and make your connections. There is plenty of room to roll any excess wire under the panel, giving yourself a little extra wire will make your install easier, especially any changes down the road.

Once all of your wiring is confirmed accurate slide the switch panel into the ashtray hole and press down, the bracket on the back of the switch panel should click into place.



WIRING DIAGRAM



BUTTON CONFIGURATION ON SWITCH PANEL MAY DIFFER

WWW.NITROUSOUTLET.COM

IMPORTANT—All appropriate safety equipment (e.i., gloves, tools) must be used during the installation of this product(s). Nitro Dave's LLC accepts no responsibility for injuries resulting in the installation of any product(s).