



79-86 Mustang Switch Panel

Ashtray Nitrous Switch Panel

Part 00-11015

INSTALLATION INSTRUCTIONS

Step 1: Remove the metal ashtray housing from the ashtray area. This is a good time to clean those small edges that are hard to get to.

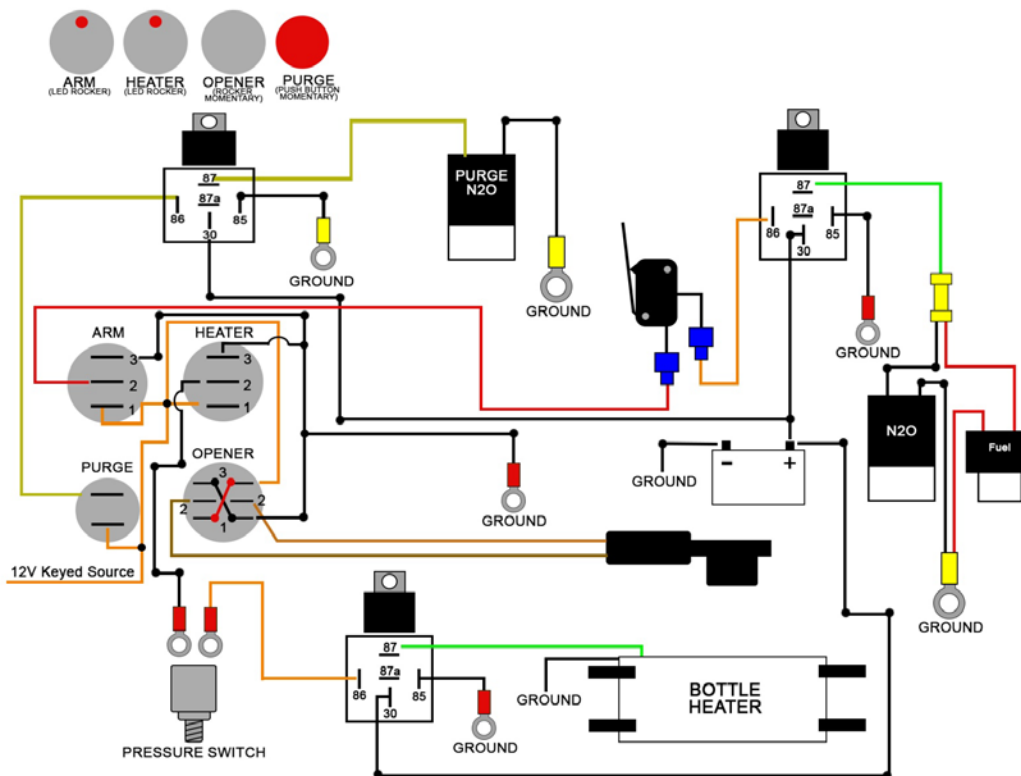
Step 2: Route all the wiring for your accessories to the switch panel under/behind the ashtray and make your connections. You may need to remove the center console. There is plenty of room to roll any excess wire under the console, giving yourself a little extra wire will make your install easier.

Step 3: When all of your wiring is confirmed and accurate remove the protective siding on the tape and install your panel, pressing firmly to secure the tape to the console. For extra strength you can use the small black screws Provided in each corner



WIRING DIAGRAM

BUTTON CONFIGURATION ON SWITCH PANEL MAY DIFFER



WWW.NITROUSOUTLET.COM

IMPORTANT—All appropriate safety equipment (i.e., gloves, tools) must be used during the installation of this product(s). Nitro Dave's LLC accepts no responsibility for injuries resulting in the installation of any product(s).