



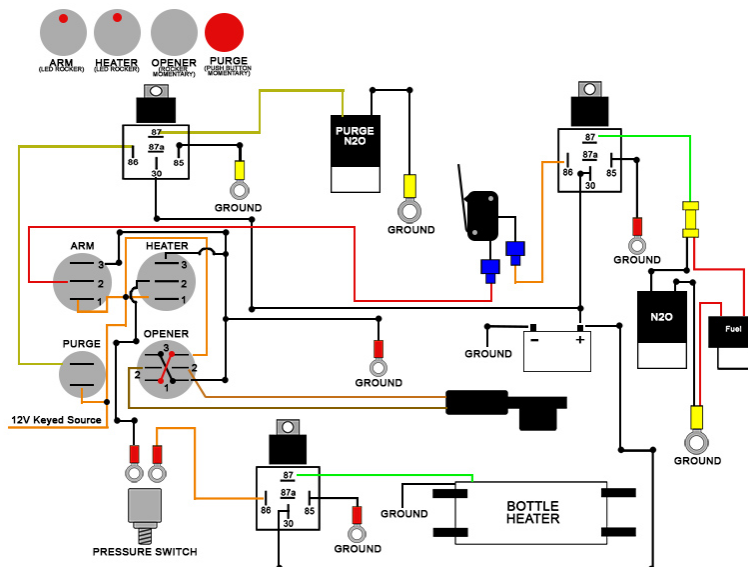
# 94-96 Impala SS Switch Panel

IMPALA ASHTRAY NITROUS SWITCH PANEL

Part # 00-11016

## INSTALLATION INSTRUCTIONS

1. This panel fits in the ashtray of your Impala. Pull your ashtray out and remove the plastic ash receptacle. You may need to remove the center console to route your wiring.
2. Route all your wiring for your accessories to the switch panel and make your connections. There is plenty of room to roll any excess wire under the panel, giving yourself a little extra wire will make your install easier, especially if there are any changes down the road.
3. Connect all of your wiring using the diagram below.
4. Test the system and make sure your wiring is correct. With the key in the on position turn on system arm, the solenoids should click. If they don't something is wired wrong. If they do click then turn on the heater and see if it gets warm, then try your purge. Once everything is working correctly move to the next step.
5. Slide the switch panel into the ashtray, the tabs on bottom will slide behind the under the ashtray housing and the top tab will rest in the groove. The back side should slide in snugly.
6. Once everything is connected and working properly slide the panel into the storage compartment. Put the console back together and you are ready to go.



\*\*\*BUTTON CONFIGURATION ON SWITCH PANEL MAY DIFFER\*\*\*

[WWW.NITROUSOUTLET.COM](http://WWW.NITROUSOUTLET.COM)

IMPORTANT—All appropriate safety equipment (e.i., gloves, tools) must be used during the installation of this product(s). Nitro Dave's LLC accepts no responsibility for injuries resulting in the installation of any product(s).