



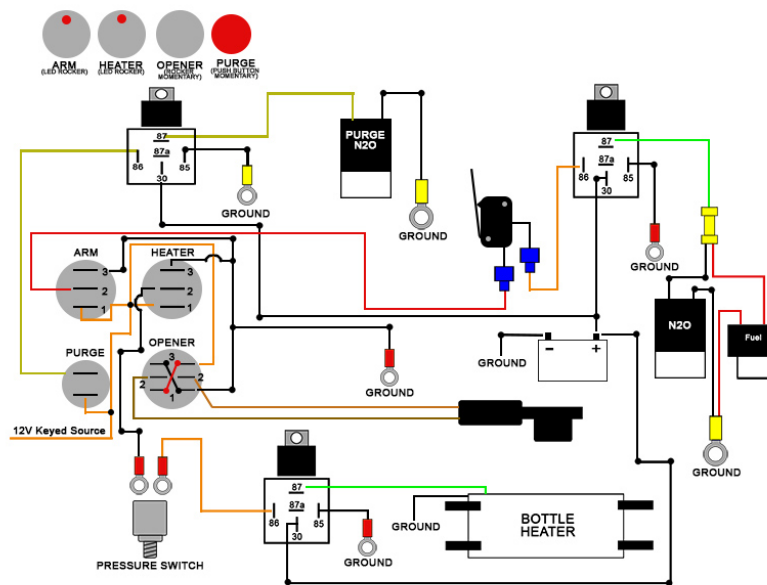
94-97 Mustang Switch Panel

94-97 MUSTANG ASH TRAY SWITCH PANEL

Part # 00-11030

INSTALLATION INSTRUCTIONS

1. This panel fits in the ashtray of the center console of your 94-97 Mustang. You will need to remove the metal ashtray housing. You may need to remove the center console to route your wiring.
2. Route all your wiring for your accessories to the switch panel and make your connections. There is plenty of room to roll any excess wire under the panel, giving yourself a little extra wire will make your install easier, especially if there are any changes down the road.
3. Connect all of your wiring using the diagram below.
4. Test the system and make sure your wiring is correct. With the key in the on position turn on system arm, the solenoids should click. If they don't something is wired wrong. If they do click then turn on the heater and see if it gets warm, then try your purge. Once everything is working correctly move to the next step.
5. Place the switch panel over the ash tray and press down, the side tabs will click into place keeping your switch panel secure.
6. Put the console back together and you are ready to go.



BUTTON CONFIGURATION ON SWITCH PANEL MAY DIFFER

WWW.NITROUSOUTLET.COM

IMPORTANT—All appropriate safety equipment (e.i., gloves, tools) must be used during the installation of this product(s). Nitro Dave's LLC accepts no responsibility for injuries resulting in the installation of any product(s).