



FUEL PRESSURE SAFETY SWITCH

LOW PRESSURE #00-60000 - HIGH PRESSURE #00-60001

INSTALLATION INSTRUCTIONS

These instructions cover both the Low Fuel Pressure (00-60000) and High Fuel Pressure (00-60001) Fuel Pressure Safety Switches. If you have any questions about the use or installation of this products, call our Tech Help Line at (254) 848-4300.

Tools Needed For Installation:

- Small Philips Head Screwdriver
- Medium Philips Head Screwdriver
- 3mm Hex Wrench
- 15/16" Wrench

About your Nitrous Outlet Fuel Pressure Safety Switch:

The Nitrous Outlet Fuel Pressure Safety Switch is designed to protect your engine in the event of fuel pump failure or fuel pressure loss. The Low Pressure switch is preset at 5PSI, and is adjustable in a range from 1.5-20PSI. The High Pressure switch is preset at 35PSI, and has an adjustable range of 20-120PSI. The Fuel Pressure Safety Switch works best when attached directly to the Fuel Solenoid or Fuel Rail via a manifold.

Follow the procedure below to adjust your Nitrous Outlet Fuel Pressure Safety Switch



Step 1:

Use the medium phillips head screwdriver to remove the large center screw.

305 S. 28th street Waco, TX 76710 - TEL 254-848-4300

WWW.NITROUSOUTLET.COM

IMPORTANT- ALL APPROPRIATE SAFETY EQUIPMENT (GLOVES, TOOLS ETC.) MUST BE USED DURING THE INSTALLATION OF THIS PRODUCT(S). NITRO DAVE'S LLC ACCEPTS NO RESPONSIBILITY FOR INJURIES RESULTING IN THE INSTALLATION OF ANY PRODUCT(S). NITROUS OXIDE IS FOR OFF-ROAD USE ONLY.



FUEL PRESSURE SAFETY SWITCH

LOW PRESSURE #00-60000 - HIGH PRESSURE #00-60001

INSTALLATION INSTRUCTIONS



Step 2:

Remove the 2 small screws on top of the switch.



Step 3:

Gently pull the black cap off of the fuel pressure safety switch. Be careful not to pull the wires loose from their soldered connection on the switch.



Step 4:

Locate the Hex screw on the switch. To adjust the pressure turn the hex clockwise to raise the fuel pressure limit, and turn it counter-clockwise to decrease the fuel pressure limit. For an accurate adjustment, it is best to use a fuel pressure gauge and an ohm meter.

305 S. 28th street Waco, TX 76710 - TEL 254-848-4300

WWW.NITROUSOUTLET.COM

IMPORTANT- ALL APPROPRIATE SAFETY EQUIPMENT (GLOVES, TOOLS ETC.) MUST BE USED DURING THE INSTALLATION OF THIS PRODUCT(S).
NITRO DAVE'S LLC ACCEPTS NO RESPONSIBILITY FOR INJURIES RESULTING IN THE INSTALLATION OF ANY PRODUCT(S). NITROUS OXIDE IS FOR OFF-ROAD USE ONLY.



FUEL PRESSURE SAFETY SWITCH

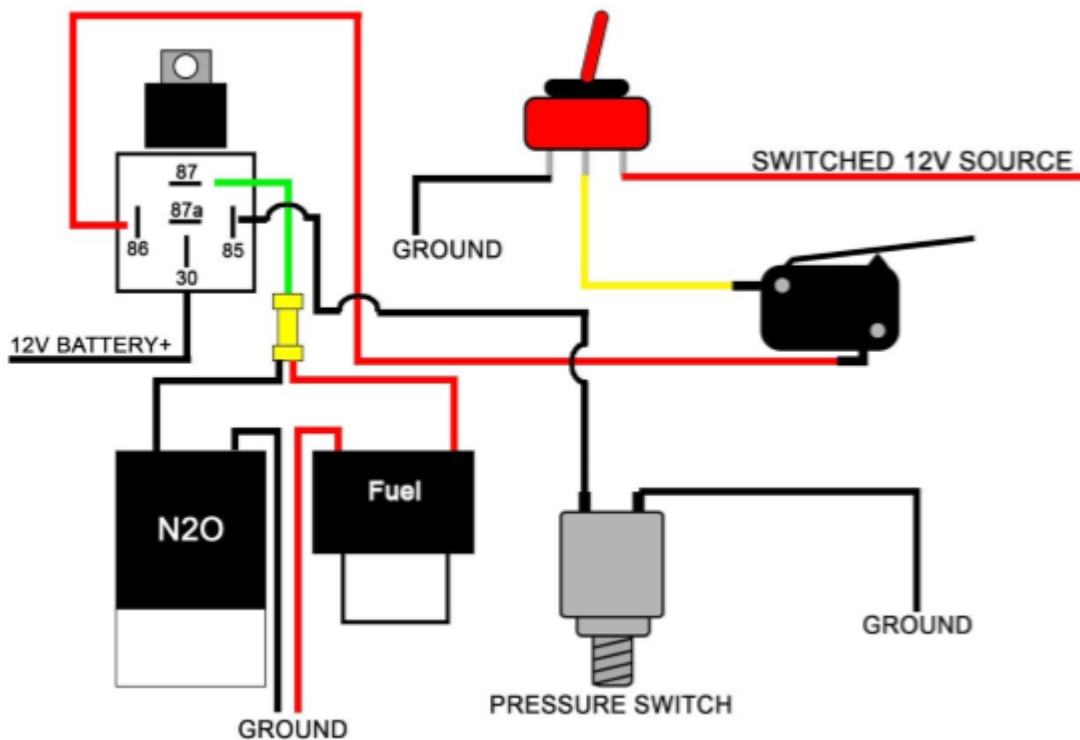
LOW PRESSURE #00-60000 - HIGH PRESSURE #00-60001

INSTALLATION INSTRUCTIONS

Testing The Fuel Pressure Safety Switch

With the nitrous bottle off turn the nitrous system ariming switch on. Test the system by clicking the nitrous activation switch. If your wiring is correct, nothing should happen. Now turn the fuel pump on and click the nitrous switch again. The solenoids should click if the system is wired and set correctly. Be careful not to flood the engine with fuel.

Fuel Pressure Safety Switch Wiring Diagram



305 S. 28th street Waco, TX 76710 - TEL 254-848-4300

WWW.NITROUSOUTLET.COM

IMPORTANT- ALL APPROPRIATE SAFETY EQUIPMENT (GLOVES, TOOLS ETC.) MUST BE USED DURING THE INSTALLATION OF THIS PRODUCT(S).
NITRO DAVE'S LLC ACCEPTS NO RESPONSIBILITY FOR INJURIES RESULTING IN THE INSTALLATION OF ANY PRODUCT(S). NITROUS OXIDE IS FOR OFF-ROAD USE ONLY.