



X-Series Bottle Heater

WRAP AROUND STYLE

Part #'s 22-64000, 22-64001-X

INSTALLATION INSTRUCTIONS

X-Series bottle heater are controlled by internal bottle pressure, not by temperature. The automatic heater uses an adjustable pressure switch so you can adjust the heater to operate in the pressure range you prefer. We suggest adjusting the pressure switch to turn on around 900 PSI. After adjusting the pressure switch to the preferred heating range the heater will automatically turn on and off while activated. Use red Loc-tite or thread paste on all pipe thread connections. DO NOT use any other sealing compounds or thread tape. DO NOT use any sealer on flare connections, hose or bottle connections. All threads must be clean and dry. DO NOT apply too much sealer. DO NOT over tighten parts and connections.

WARNING

- 1. WHEN USING THE MANIFOLD, NEVER OPERATE YOUR HEATER WITH THE BOTTLE VALVE CLOSED. THE PRESSURE SWITCH CANNOT READ THE INTERNAL BOTTLE PRESSURE WHEN THE VALVE IS CLOSED.**
- 2. NEVER TOUCH THE HEATER ELEMENT WHEN IT IS TURNED ON. THE SURFACE TEMPERATURE MAY REACH TEMPERATURES AS MUCH AS 400 DEGREES.**
- 3. NEVER OPERATE YOUR HEATER UNLESS THE HEATING ELEMENT IS STRAPPED FIRMLY AROUND THE NITROUS BOTTLE. FAILURE TO DO SO WILL RESULT IN ELEMENT BURN OUT. THIS IS NOT COVERED BY WARRENTY**
- 4. DO NOT ATTEMPT TO OPERATE THE HEATER WITH OUT THE HEAVY DUTY RELAY PROPERLY INSTALLED, PER THE WIRING DIAGRAM.**

WIRING THE BOTTLE HEATER

Disconnect the battery ground cable. Install the heater element on the nitrous bottle, being sure the element is square and flat with the bottle surface. Install the pressure switch in the bottle pressure port. Connect either wire from the heater element to a ground source, usually the bottle bracket if it is mounted to the vehicle chassis or body. The heavy-duty relay should be mounted as close to the heating element as practical. Connect the remaining element wire to the green lead from the relay wire harness. Connect the black lead to the battery positive terminal. Connect the Red wire to one side of your heater switch. The other terminal will connect to the toggle switch's ACC terminal using the 18gauge blue wire supplied with your heater. The toggle switch must be grounded and connected to a 12-volt source controlled by the ignition switch. Refer to the wiring diagram if further help is needed. Check all wiring circuits for correct routing and confirm all connections. Reconnect the ground cable. Your X-Series bottle heater is now ready for pressure switch adjustment.

ADJUSTING THE PRESSURE SWITCH

To set the pressure switch, turn the set screw to the right to increase bottle pressure and to the left to lower the bottle pressure. Only make adjustments of 1 turn at a time giving the bottle at least 10 minutes to stabilize, between adjustments. One full turn will adjust the bottle pressure approximately 150 PSI. (An X-Series bottle pressur gauge will be needed to monitor bottle pressure.)

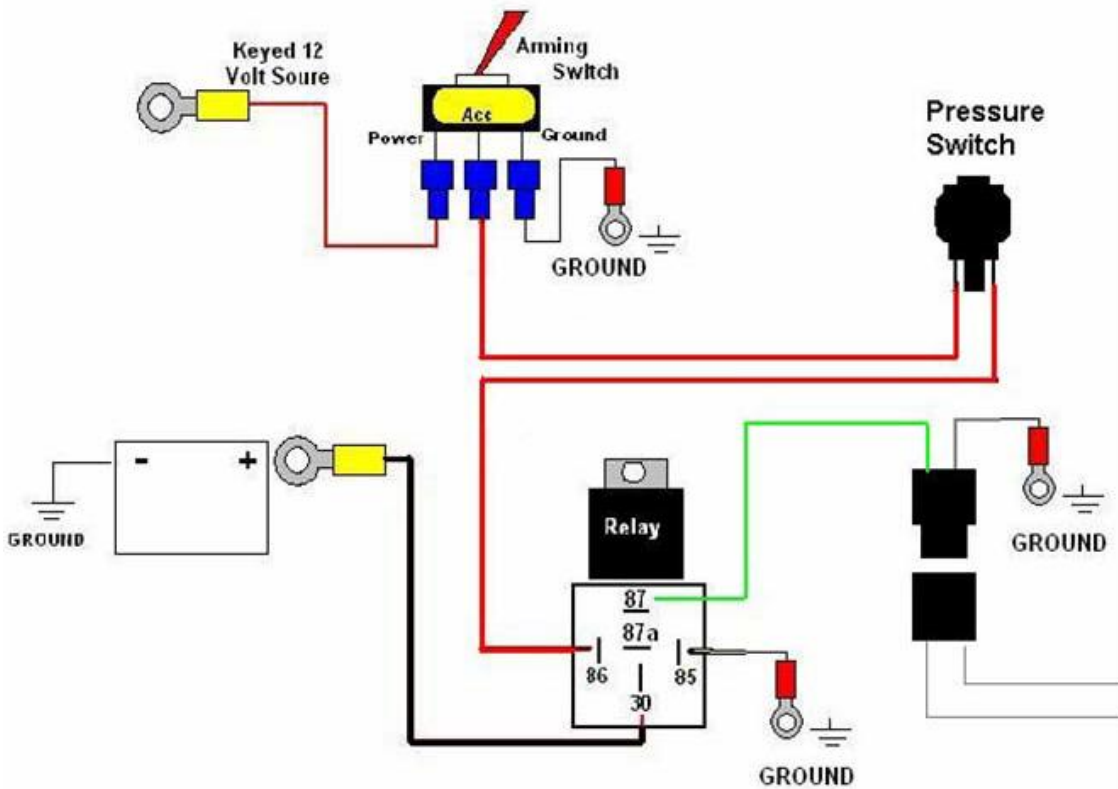


X-Series Bottle Heater

WRAP AROUND STYLE

Part #'s 22-64000, 22-64001-X

INSTALLATION INSTRUCTIONS



WWW.NITROUSOUTLET.COM

IMPORTANT—All appropriate safety equipment (i.e., gloves, tools) must be used during the installation of this product(s). Nitro Dave's LLC accepts no responsibility for injuries resulting in the installation of any product(s).